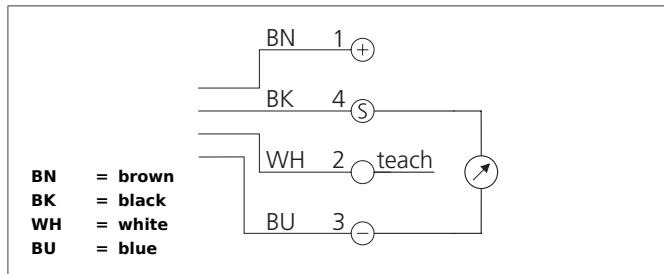


UST 18 M 1500 IU-B4

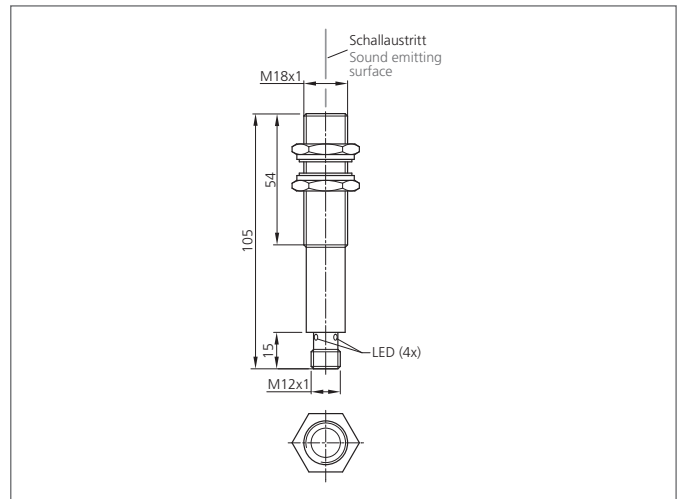
Ultrasonic sensor

- As a ultrasonic sensor or -barrier configurable
- Scanning range adjustable
- Analog output 4 ... 20 mA / 0 ... 10 V, depending on load
- Insensitive to dirt
- Insensitive to ambient noise
- Scanning does not depend on surface
- High frequency of measuring sequence
- High resolution



Safety instructions

The Instruments are not to be used for safety applications, in particular applications in which safety of persons depends on proper operation of the instruments.
 These instruments shall exclusively be used by qualified personnel.



TECHNICAL INFORMATION (typ.)	+20°C, 24V DC
Operating principle	Ultrasonic sensor, Ultrasonic barrier
Evaluation	analog
Size	M18 x 1 (thread)
Design	screw
Sound emitting surface	axial
Service voltage	11 ... 30 V DC
Internal power consumption	45 ... 65 mA
Operating distance	1.500 mm
Adjustment range	120 ... 1.500 mm
Resolution	0.5 mm
Sensitivity adjustment	Remote teach
Switching hysteresis	axial
Analog output	0 ... 10 V, 4 ... 20 mA, teachable
Frequency of measuring sequence	30 Hz
Operating frequency	180.000 Hz
Ripple	10 %
Linearity analog output	1 % / Sn max.
Repeatability	2 % / Sn max.
Ambient temperature	0 ... +60 °C
Temperature drift	stabilized
Load resistance	min. 10 KΩ (0 ... 10 V) / max. 400 Ω (4 ... 20 mA)
Insulation voltage endurance	500 V
Protection class	IP 67

UST 18 M 1500 IU-B4

Ultrasonic sensor



TECHNICAL INFORMATION (typ.)	+20°C, 24V DC
Casing material	brass nickel plated
Connection	Connector, M12 x 1, 4-poled
Scope of delivery	2 x M18 nuts, 2 x washers, 2 x rubber sleeves